

# Metal Quick Coupling Valve (QCV)

The Quick Coupling Valve (QCV) is a versatile and robust solution designed to provide quick and easy water access across various irrigation and landscaping projects & available in multiple configurations with durable construction options such as aluminum, brass and red brass. The integrated "Spiral Turn and Lock" key mechanism allows for secure, easy handling, making it ideal for landscape applications.



## HIGHLIGHTS

- **Threaded Inlet Options:** Available in 3/4", 1", 1.25", and 1.5" BSP/NPT female threaded connections, with optional male threaded inlets.
- **Durable Construction:** Made from single and double-piece aluminum or brass/red brass for high resistance to corrosion and wear.
- **Corrosion-Resistant Design:** Featuring a stainless steel spring that prevents leakage, ensuring long-lasting performance.
- **Spiral Turn and Lock Key:** Includes an inbuilt handle design for excellent gripping and ease of use during operation.
- **Enhanced Durability:** Available with thermoplastic covers (black or yellow) and optional locking covers for additional protection and long-term durability.

## APPLICATIONS

- **Irrigation Systems:** Designed for quick installation of Rainguns on riser stands, allowing rapid removal and re-installation on other risers as needed.
- **Landscaping Projects:** Ideal for projects requiring quick water access, particularly in public parks, gardens, and large-scale green areas.
- **Commercial & Agricultural Use:** A high-value solution for both landscaping and agricultural projects, ensuring fast water connection and easy maintenance in large fields and estates.



# Quick Coupling Valve (Brass / Bronze)

Flow Rate Range	
3/4" QCV:	2.0 to 5.0 m <sup>3</sup> /h
1" QCV:	4 - 7, 4 - 10 & 6 - 16 m <sup>3</sup> /h
1.5" QCV :	10 - 28 m <sup>3</sup> /h
Operating Pressure Range	
0 to 10 bar	

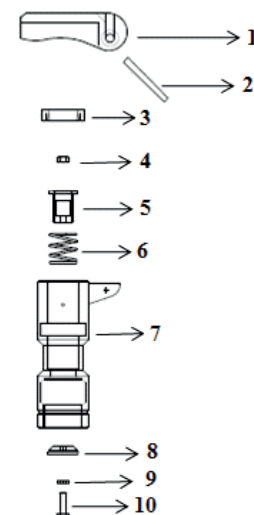
Models	Height (cm)	
	QCV	QCV with Key
70B/BRL	10	19.2
70BR/70BRL	11.5	21.1
71B/BL	14	24
71BR/71BRL	14	31.2
71BT	14	25.8
72B	15	31

Flow Rate (m <sup>3</sup> /hr)	Pressure Loss (Bar)				
	3/4"	1"	1"	1"	1.5"
		71BT	71B	71BR	
2	0.11				
3	0.25				
4	0.38	0.18	0.11		
5	0.52	0.27	0.15		
6		0.39	0.22	0.05	
7		0.53	0.34	0.1	
8			0.43	0.15	
9			0.52	0.21	
10			0.7	0.28	0.1
12				0.41	0.13
14				0.6	0.18
16				0.9	0.25
22					0.7
28					0.95

Models	QCV Key Descriptions
AQ-70BK	3/4" Brass QCV Key ( Opener for 70B, BL)
AQ-70BRK	3/4" Bronze QCV Key (for 70BR, BRL)
AQ-71BK	1" Brass QCV Key (for 71B, BL)
AQ-71BRK	1" Bronze QCV Key (for 71BR, BRL)
AQ-71BTK	1" Brass QCV Key (for 71BT)
AQ-72BK	1.5" Bronze QCV Key ( Opener for 72B)

Models	QCV Descriptions
AQ-70B	3/4" Brass QCV
AQ-70BR	3/4" Bronze QCV (Rainbird Compatible)
AQ-70BL	Model 70B with Lockable cover
AQ-70BRL	Model 70BR with Lockable cover
AQ-71B	1" Brass QCV
AQ-71BR	1" Bronze QCV (Rainbird Compatible)
AQ-71BL	Model 71B with Lockable cover
AQ-71BRL	Model 71BR with Lockable cover
AQ-71BT	Model 71B (Toro Compatible)
AQ-72B	1.5" Bronze QCV

S.No.	Description	Qty
1	Cap	1
2	Dowel Pin	1
3	Groovemate	1
4	Nut	1
5	Filter/ Valve	1
6	Spring	1
7	Body	1
8	Insert	1
9	Sealing Washer	1
10	Bolt	1



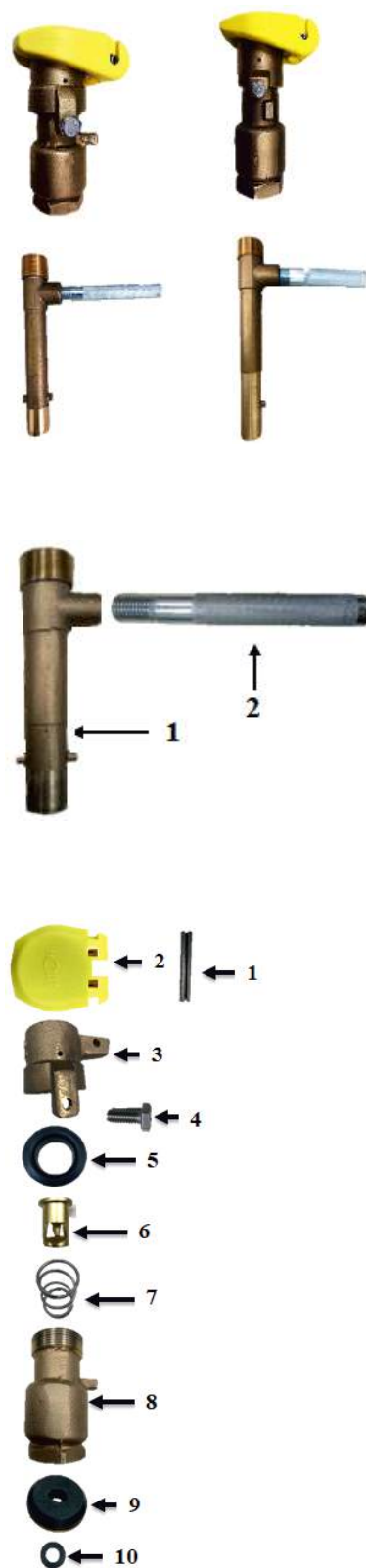
# Double Body Quick Coupling Valve (Bronze)

Models Description:	
Models	Product Descriptions
AQ-70TBR	3/4" Red Brass Double Body QCV
AQ-70TBRL	3/4" Red Brass Double body QCV with Locable cover
AQ-71TBR	1" Red Brass Double Body QCV
AQ-71TBRL	1" Red Brass Double body QCV with Locable cover
AQ-70TBRK	3/4" Red Brass QCV Key with MS plated Handle
AQ-71TBRK	1" Red Brass QCV Key with MS plated Handle

Material Description			
S. No	Description	Material	Qty
1	Dowel Pin	Stainless Steel	1
2	Cap	TPR/TPE	1
3	Body Top	Red Brass	1
4	Body Lock Bolt	Stainless Steel	1
5	Groovemate	EPDM	1
6	Filter	Brass	1
7	Spring	Stainless Steel	1
8	Body Bottom	Red Brass	1
9	Rubber Pad	EPDM & Brass	1
10	Sealing Washer	NBR	1
11	Filter Bolt	Stainless Steel	1
S.No.	Description	Material	Qty
1	QCV Key	Red Brass	1
2	Handle	1/4" MS Plated	1

Flow Rate (m <sup>3</sup> /hr)	Material Description	
	3/4"	1"
2.3	0.15	
4	0.42	0.19
5	0.62	0.29
6		0.39
7		0.52

Flow Rate (m <sup>3</sup> /hr)	Height (cm)	
	QCV	QCV with Key
70TBR/70TBRL	11.1	20.1
71TBR/71TBRL	15.2	31.3

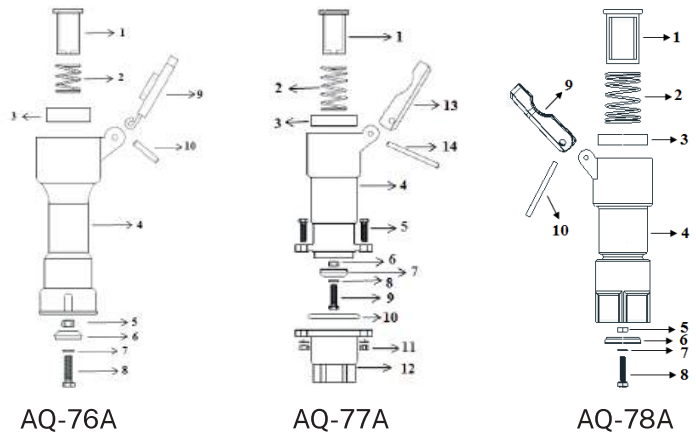


Models Description	
QCV	QCV KEY
76A: 1" Aluminum QCV	76AK: 1" Aluminum QCV Key (Opener for 76A)
77A: 1.25" Aluminum QCV	77AK: 1.25" Aluminum QCV Key (Opener for 77A)
78A: 1.5" Aluminum QCV	78AK: 1.5" Galvanized QCV Key (Opener for 78A)

Material Description (AQ-76A)			
S. No	Description	Material	Qty
1	Filter	BRASS	1
2	Spring	Stainless Steel	1
3	Groovemate	EPDM	1
4	Body	ALUMINIUM LM25	1
5	Nut	Stainless Steel	1
6	Insert Mould	SS+ Rubber	1
7	Sealing Washer	NBR	1
8	Bolt	Stainless Steel	1
9	Cap	(Rubber+Aluminum)/ Plastic	1
10	Dowel Pin	MS Plated	1

Material Description (AQ-78A)			
S. No	Description	Material	Qty
1	Filter	Brass	1
2	Spring	Stainless Steel	1
3	Grommet	NBR	1
4	Body	Aluminium	1
5	Nut	Stainless Steel	1
6	Insurt Mould	SS+Rubber	1
7	Sealing Washer	NBR	1
8	Bolt	Stainless Steel	1
9	Cap	Black Plastic (TPR/TPU)	1
10	Dowel Pin	MS Plated	1

Material Description (AQ-77A)			
S. No	Description	Material	Qty
1	Filter	BRASS	1
2	Spring	Stainless Steel	1
3	Groovemate	EPDM	1
4	Body	ALUMINIUM LM25	1
5	Bolt	MS Plated	4
6	Nut	Stainless Steel	1
7	Insert Mould	SS+Rubber	1
8	Sealing Washer	NBR	1
9	Bolt	Stainless Steel	1
10	O-ring	NBR	1
11	Spring Washer & Nut	MS Plated	4 each
12	Base	ALUMINIUM LM25	1
13	Cap	Black Plastic (TPR/TPU)	1
14	Dowel Pin	MS Plated	1



AQ-78A

### Performance Graphs

