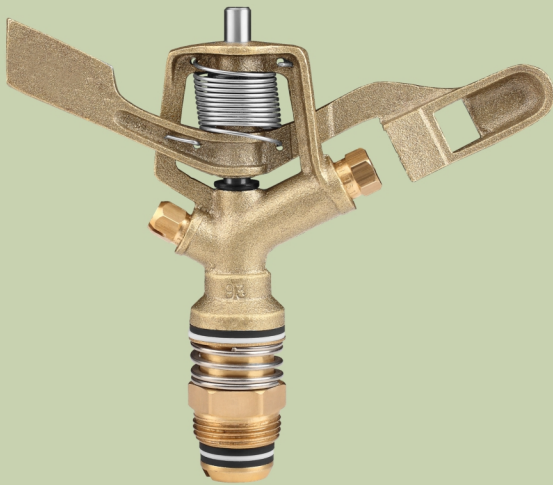


# HT - 20CS

## Overhead Sprinklers



### Features

- 3/4" BSP/NPT male threaded.
- Durable Brass body and arm.
- Heavy duty Brass Nut & Tube.
- Stainless Steel Pivot Pin, Springs
- Bearing & Sealing washers are made of material for extending life.
- Recommended Pressure 1.0 - 3.0 kg/cm<sup>2</sup>
- Recommended spacing up to 15m for higher distribution uniformity.
- Trajectory Angle: 27°

IS : 12232



Part - 1  
CM/L : 8205260

### Application

- All crops irrigation compatible by overhead irrigation on Solid set, permanent set, hard lines, portable lines, wheel lines & mechanically moved system such as center pivot.
- Area where strong wind is prevalent, Nozzles with stream straightening vane.
- Special model : HT- 20CS (AL) & HT- 20CS (ZN) light weight are also available for pressure: 1 - 3 kg/cm<sup>2</sup>

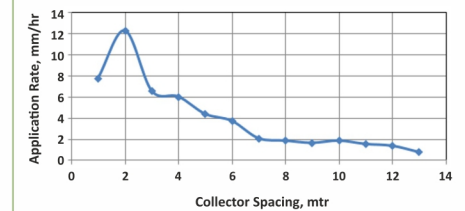
### Performance Table

Nozzle (mm)	Pressure (kg/cm <sup>2</sup> )	Coverage Diameter (mtr)	Discharge Rate (LPH)	
			Spray nozzle Without milling	Spray Nozzle with milling
3.9 x 3.17	1	19	-	1100
	2	21	-	1535
	3	22	-	1900
4.1 x 3.17	1	19	-	1180
	2	21	-	1630
	3	22	-	1990
4.36 x 3.17	1	19	-	1280
	2	22	-	1780
	3	24	-	2150
*5.15 x 3.17	1	24	1330	1520
	2	25	1850	2170
	*3	26	2280	2670

Nozzle Size: 5.1 x 3.1mm

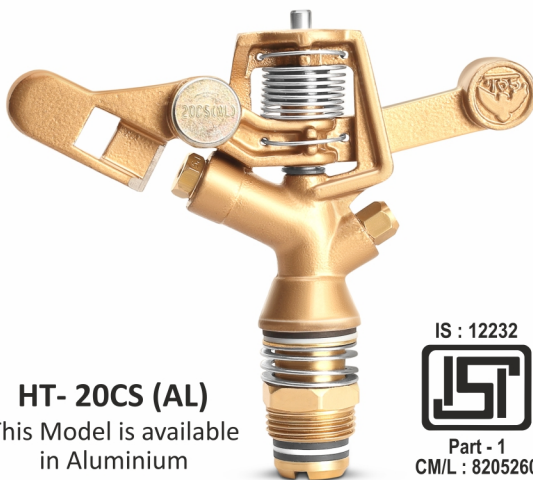
Pressure: 3.0 kg/cm<sup>2</sup>

### Distribution Curve



Spacing (m)	CU%	DU%	SC(5%)	APR
12.0 x 12.0	92%	90%	1.1	0.0
13.0 x 13.0	91%	88%	1.2	0.0
14.0 x 14.0	92%	88%	1.3	0.0
15.0 x 15.0	92%	87%	1.2	0.0

\*Performance is based on ideal conditions of Temperature, wind velocity and Humidity.

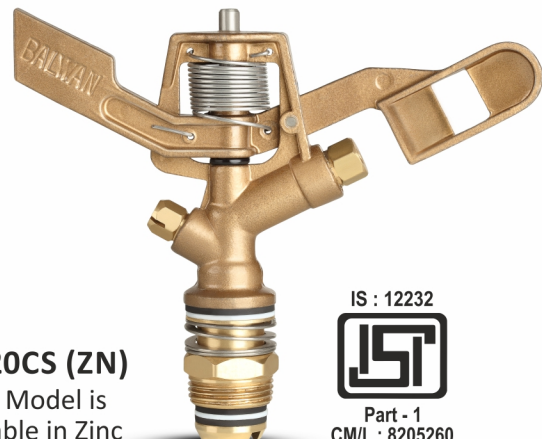


**HT- 20CS (AL)**  
This Model is available in Aluminium

IS : 12232



Part - 1  
CM/L : 8205260



**HT- 20CS (ZN)**  
This Model is available in Zinc

IS : 12232



Part - 1  
CM/L : 8205260



E-mail: [contactus@automatworld.com](mailto:contactus@automatworld.com)  
Website: [www.automatworld.com](http://www.automatworld.com)

Creating a Green World™