

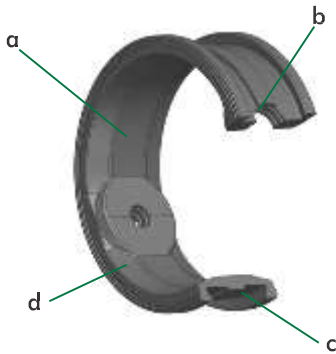
# Plastic Wafer Type Butterfly Valve: Lever Operated

6" (150 mm)



## Features

- Light weight and easy to install.
- Construction: Corrosion and chemical free.
- Spherical disc design ensuring positive sealing, higher Kv ,low torque and pressure loss.
- Type of Construction: Wafer Type.
- Shaft: Non wetted stainless steel shaft isolated from the media.
- Seal: Full seat design eliminates gaskets.
- Seal Overtight prevention : Integral Stoppers of body prevents over tightening of mating flanges.
- Service Application: Regulating & Tight Shut Off.
- Operation: Lever (Standard), Gear/Pneumatic/Electrical (Optional)
- Integral Top mounting pad provided for actuation mounting .
- Engraved 0° to 90° position indicator with locking at every 15°
- Strong Handle with built-in lock.
- **Available with ASTM/ISO Flange and Sockets (Optional).**



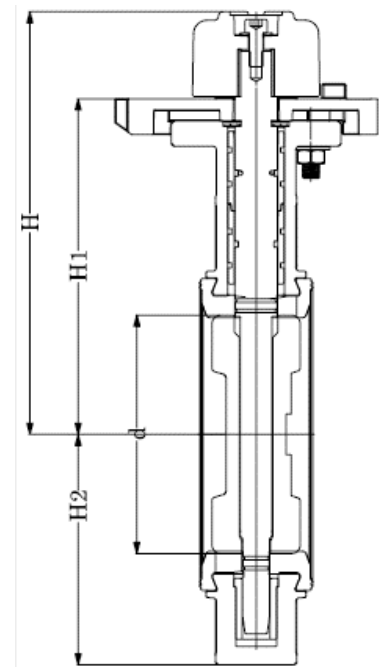
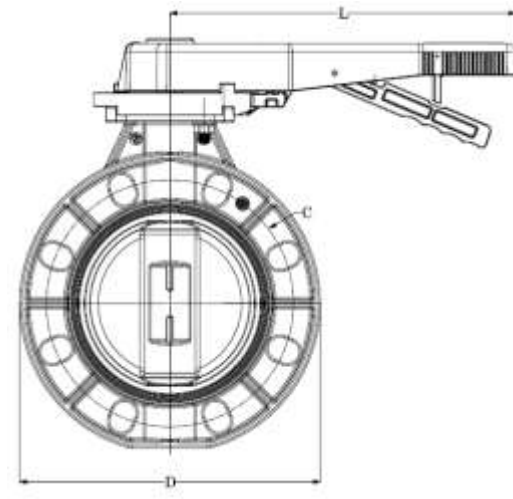
## Technical Specifications

- Nominal Size (DN): 150mm (6").
- Maximum operating pressure - 10 bar. ( 150 PSI) at 23° ( 73°F)
- Temperature Range: -5°C to 50°C. ( 23° F to 122°F)
- Face-to-Face Dimension: 59 mm.
- Orientation of Lever: Parallel to Flow, when valve fully open.
- Connection: Universal (ASTM,ANSI , ISO, EN)

### EPDM Rubber Seal

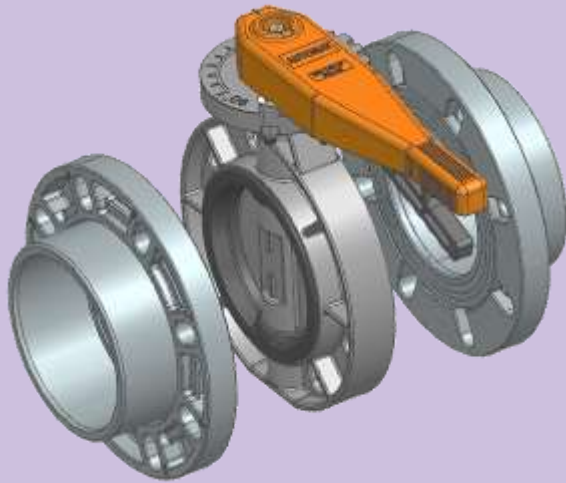
- Wide disc seating contact for good sealing performance.
- Dual seals ring bearing for stabilized sealing function.
- Excellent gripping of rubber seal to avoid operating problems such as distortion, deformation and skidding caused by line pressure.
- Gasket less flange sealing contact for easy valve mounting

Dimensions (mm)	
d	150 mm
D	282
H1	200
H2	137
H	249.5
L	327
C(PCD)	233.5



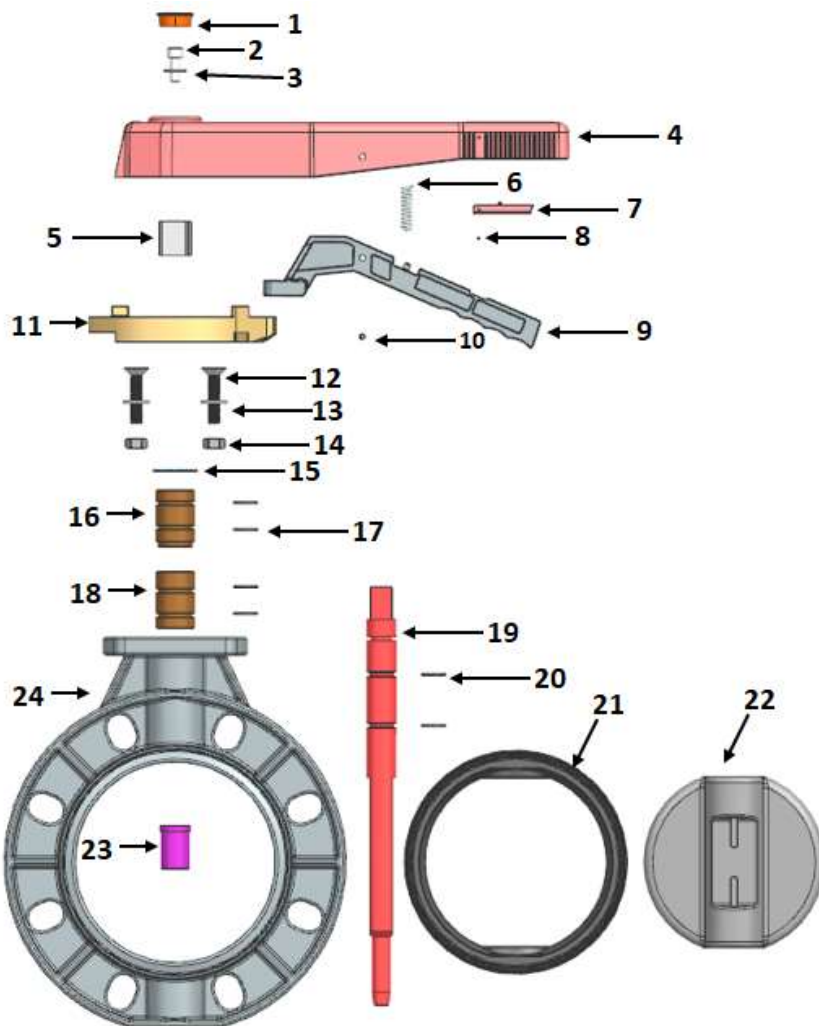
# Plastic Wafer Type Butterfly Valve: Lever Operated

6" (150 mm)



## Applications

- Irrigation Systems
- Industrial
- Aquaculture
- Municipal Water Distribution.
- Waste Water management
- Swimming Pools
- Water Parks
- Process cooling water
- Reverse osmosis systems



## PART LIST

Part No.	Part Name	Material
1	Logo	PPGF20%
2	Allen bolt	SS 304
3	M12 washer	SS 304
4	Handle	PAGF30%
5	Handle metal insert	SS 304
6	Spring	SS 304
7	Lever lock	POM
8	Dowel pin-1	SS 304
9	Lever	PPGF30%
10	Dowel PIN-2	SS 304
11	Clutch plate	PVC
12	CSK Bolt M10	SS 304
13	M10 washe	SS 304
14	M10 CSK Nut	SS 304
15	E ring washer	SS 304
16	Male bush	POM
17	Bush o'ring	NBR
18	Female bush	POM
19	Shaft	SS 303/304
20	Shaft o'ring	NBR
21	Seal	EPDM
22	Disc	PVC / PP*
23	Bush-1	POM
24	Body	PVC

\* Optional



E-mail: [contactus@automatworld.com](mailto:contactus@automatworld.com)  
 Website: [www.automatworld.com](http://www.automatworld.com)

*Creating a Green World*