

Throttle Valve

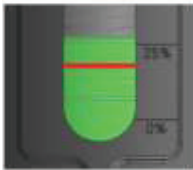
2", 2½" & 3"



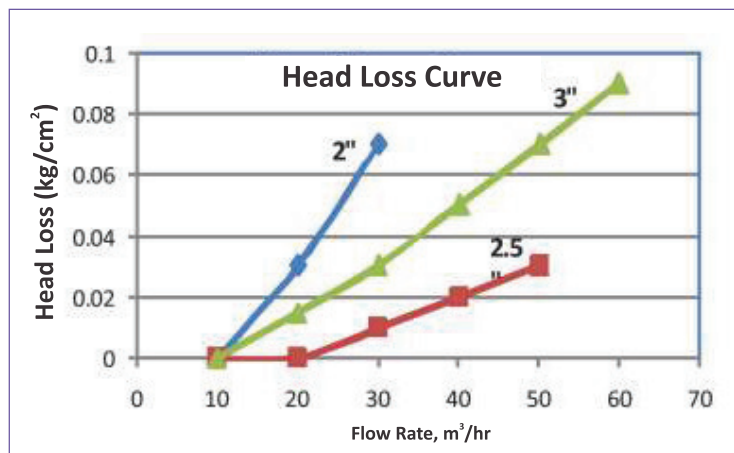
Features

- Multi Turn, Liner motion throttle valve
- End connections : Female 2", 2½" & 3" BSP/NPT Threaded type
- Operating Pressure: 6 Bar/ 90Psi
- Straight through flow with minimal head loss.
- Its slow operation prevent water hammer .
- Visual float position indicator to show us % throttle of piping system.
- Float, Body inside profile is matched by CNC machining for smooth operation and keeping the leakage under permissible limit during complete shut off.
- **Maintaining seat leakage permissible limit as per standard ANSI/FCI-70-2-2006 in Class III (0.10%) .**
- Chemical/Corrosion resistant, Color UV stablized.

Product Highlights



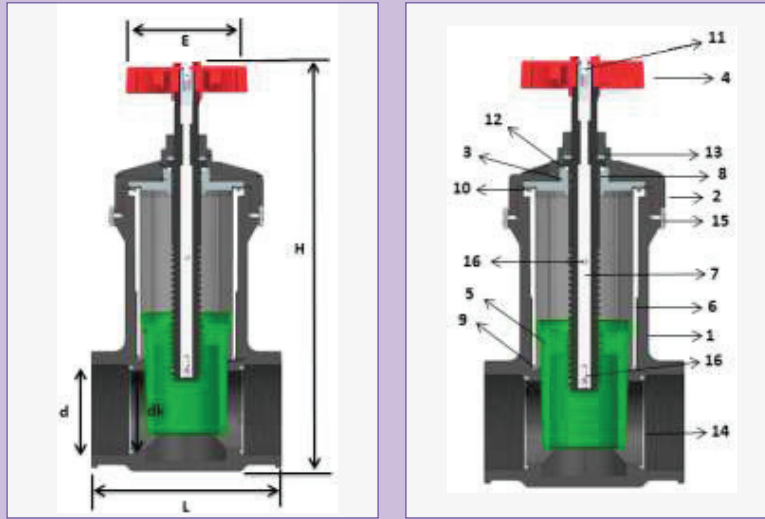
- Steel Rod inserted in full length during injection moulding of Shaft made of Reinforced Nylon , that gives excellent strength without breakage during rough usage.
- Dowel pin inserted in the shaft to prevent extra travel of float which do not transfer load on during extra tightening by farmers. This prevents breakage of cap.
- During assembly of throttle valve, 2 nos. lock pins inserted to avoid any slippage or loosening of threads of throttle valve cap.



Head Loss Curve of Throttle Valves (When Valves Fully Open)

Throttle Valve

2", 2½" & 3"



Material Specification

PART NO	PART NAME	MATERIAL	QTY.
1	Body	Reinforced PP	1
2	Flange	Reinforced PA	1
3	Disc	Reinforced PA	1
4	Handle	Reinforced PA	1
5	Cylinder	Reinforced PP	1
6	PC Housing	Polycarbonate	1
7	Shaft	Reinforced PA+Steel	1
8	Shaft O-ring	NBR	2
9	Bottom Gasket	NBR	1
10	Sleeve Gasket	NBR	1
11	Handle Screw	SS-304	1
12	Tefflon Seal Big	Teflon	1
13	Tefflon Seal Small	Teflon	1
14	Housing Gasket	NBR	2
15	Locking Pin	SS-304	2
16	Dowel Pin(4*30) SS	SS-304	2

Dimensions (mm)

Nom Size	BSP Thd./in	NPT Thd./in	d	dk	E	L	H
50mm (2")	11	11.5	65	48	117	130	275
65mm (2½")	11	8	74	63	117	182	390
80mm (3")	11	8	93	74	117	182	390

* Also available in 3" & 4" Flanged version.